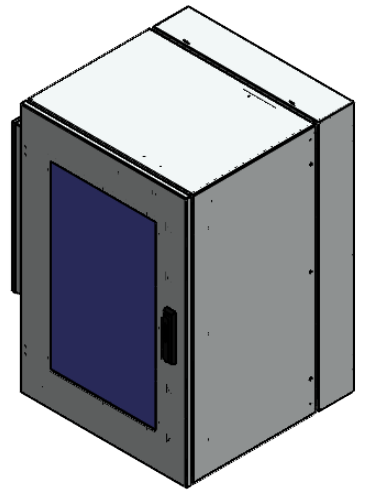
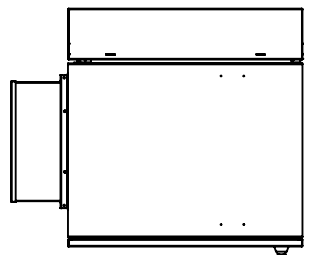


6 5 4 3 2 1

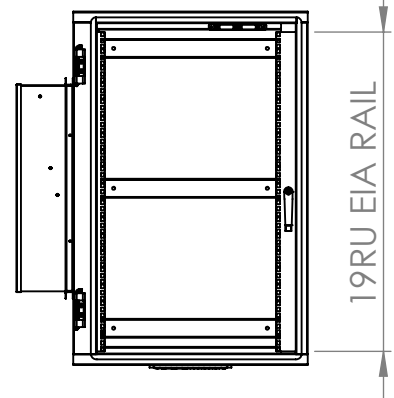
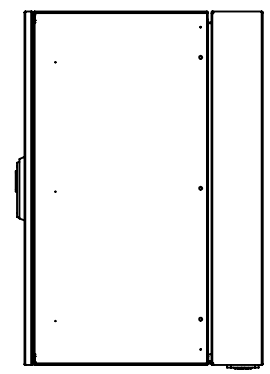
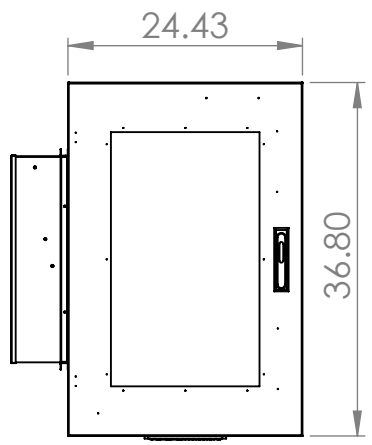
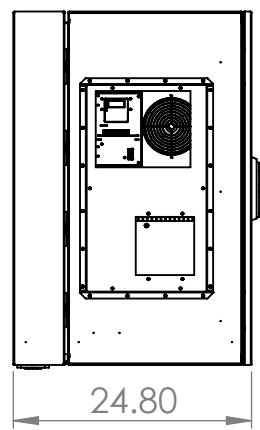
D

D



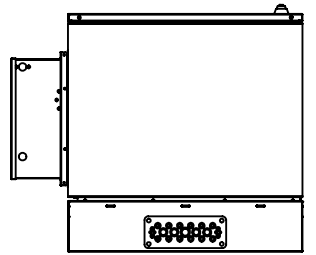
C

C



B

B



A

A

6 5 4 3 2 1

SURFACE FINISH:
RAL 7035 Polyester Powder coat

UNLESS OTHERWISE SPECIFIED:
DIMENSIONS ARE IN INCH

MATERIAL:
Steel

WEIGHT:



DWG NO. ODW-S

A4

SCALE: 1:20

SHEET 1 OF 1